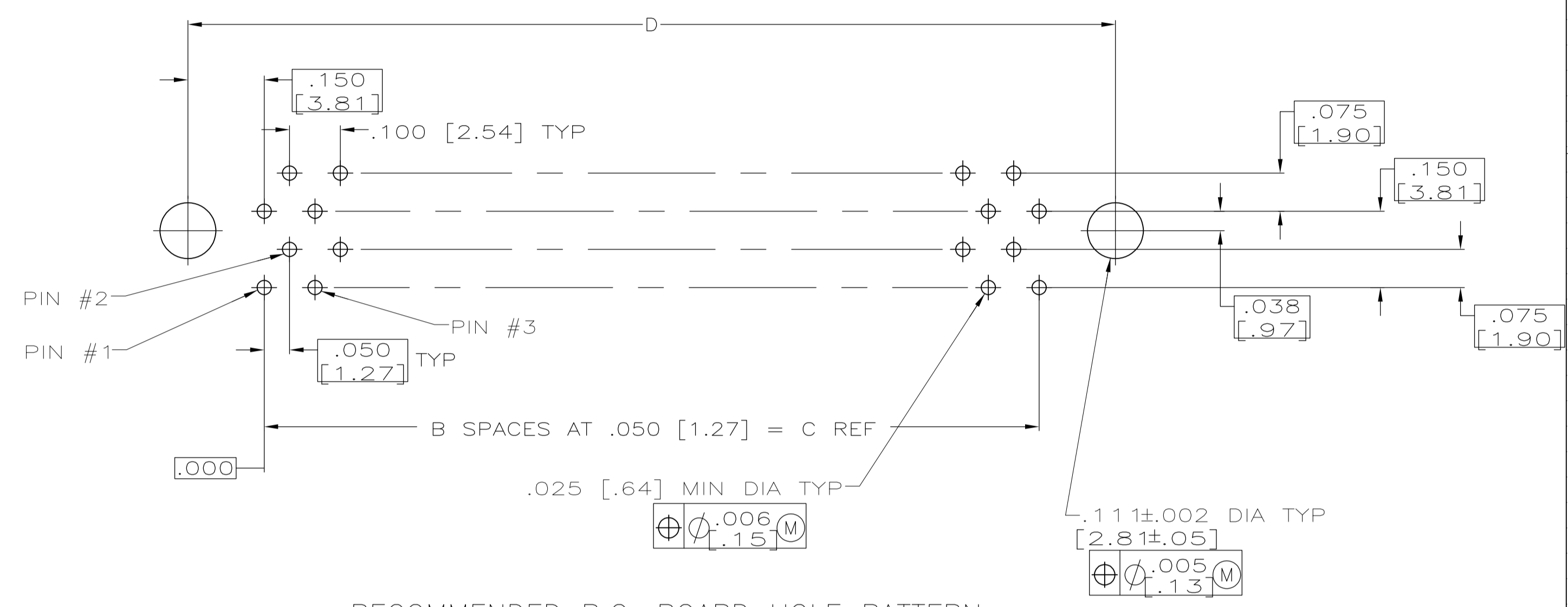


SECTION Z-Z
SCALE 10:1

- 1 NUMBERS INDICATING END POSITIONS MARKED THIS SIDE ONLY.
- 2. MEETS ALL APPLICABLE REQUIREMENTS OF MIL-C-55302.
- 3 HOUSING MATERIAL: LIQUID CRYSTAL POLYMER PER MIL-M-24519, GLCP-30F; COLOR: GRAY.
- 4 BRIDGE IN GROOVE N/A FOR 20 THRU 50 POSITIONS.
- 5 EPOXY IS ADDED TO BOTTOM OF HOUSING FOR INCREASED CONTACT RETENTION.
- 6 AMP, 00779, PART NO., MILITARY P/N AND DATE CODE MARKED IN THIS APPROXIMATE AREA.
- 7 CONNECTOR HAS NO EPOXY ADDED FOR CONTACT RETENTION OR SEALING.



RECOMMENDED P.C. BOARD HOLE PATTERN
(CONNECTOR SIDE)

REMARKS	HSG MAT'L	MILITARY P/N	CAVITY ID	E	D	C	B	A	POSN.
↑	↑	M55302/119-11	1 - 64	3.000 [76.20]	3.450 [87.63]	3.150 [80.01]	63	3.740 [95.00]	128 2-530745-2
↑	↑	M55302/119-10	1 - 55	2.550 [64.77]	3.000 [76.20]	2.700 [68.58]	54	3.290 [83.57]	110 2-530745-1
		M55302/119-09	1 - 50	2.300 [58.42]	2.750 [69.85]	2.450 [62.23]	49	3.040 [77.22]	100 2-530745-0
		M55302/119-08	1 - 45	2.050 [52.07]	2.500 [63.50]	2.200 [55.88]	44	2.790 [70.87]	90 1-530745-9
		M55302/119-07	1 - 40	1.800 [45.72]	2.250 [57.15]	1.950 [49.53]	39	2.540 [64.52]	80 1-530745-8
		M55302/119-06	1 - 35	1.550 [39.37]	2.000 [50.80]	1.700 [43.18]	34	2.290 [58.17]	70 1-530745-7
		M55302/119-05	1 - 30	1.300 [33.02]	1.750 [44.45]	1.450 [36.83]	29	2.040 [51.82]	60 1-530745-6
		M55302/119-04	1 - 25	1.050 [26.67]	1.500 [38.10]	1.200 [30.48]	24	1.790 [45.47]	50 1-530745-5
		M55302/119-03	1 - 20	.800 [20.32]	1.250 [31.75]	.950 [24.13]	19	1.540 [39.12]	40 1-530745-4
		M55302/119-02	1 - 15	.550 [13.97]	1.000 [25.40]	.700 [17.78]	14	1.290 [32.77]	30 1-530745-3
↑	↑	M55302/119-01	1 - 10	.300 [7.62]	.750 [19.05]	.450 [11.43]	9	1.040 [26.42]	20 1-530745-2
↓	↓	M55302/119-11	1 - 64	3.000 [76.20]	3.450 [87.63]	3.150 [80.01]	63	3.740 [95.00]	128 1-530745-1
↓	↓	M55302/119-10	1 - 55	2.550 [64.77]	3.000 [76.20]	2.700 [68.58]	54	3.290 [83.57]	110 1-530745-0
↓	↓	M55302/119-09	1 - 50	2.300 [58.42]	2.750 [69.85]	2.450 [62.23]	49	3.040 [77.22]	100 530745-9
↓	↓	M55302/119-08	1 - 45	2.050 [52.07]	2.500 [63.50]	2.200 [55.88]	44	2.790 [70.87]	90 530745-8
↓	↓	M55302/119-07	1 - 40	1.800 [45.72]	2.250 [57.15]	1.950 [49.53]	39	2.540 [64.52]	80 530745-7
↓	↓	M55302/119-06	1 - 35	1.550 [39.37]	2.000 [50.80]	1.700 [43.18]	34	2.290 [58.17]	70 530745-6
↓	↓	M55302/119-05	1 - 30	1.300 [33.02]	1.750 [44.45]	1.450 [36.83]	29	2.040 [51.82]	60 530745-5
↓	↓	M55302/119-04	1 - 25	1.050 [26.67]	1.500 [38.10]	1.200 [30.48]	24	1.790 [45.47]	50 530745-4
↓	↓	M55302/119-03	1 - 20	.800 [20.32]	1.250 [31.75]	.950 [24.13]	19	1.540 [39.12]	40 530745-3
↓	↓	M55302/119-02	1 - 15	.550 [13.97]	1.000 [25.40]	.700 [17.78]	14	1.290 [32.77]	30 530745-2
↓	↓	M55302/119-01	1 - 10	.300 [7.62]	.750 [19.05]	.450 [11.43]	9	1.040 [26.42]	20 530745-1

THIS DRAWING IS A CONTROLLED DOCUMENT.

DIMENSIONS: INCHES. TOLERANCES UNLESS OTHERWISE SPECIFIED: 0 PLC ± .005 [0.13], 1 PLC ± .005 [0.13], 2 PLC ± .005 [0.13], 3 PLC ± .005 [0.13], 4 PLC ± .005 [0.13]. ANGLES FINISH.

MATERIAL: -

THIS DRAWING IS A CONTROLLED DOCUMENT. DWN: T. WIEST, 3-13-90. CHK: J. HOKE, 3-15-90. APVD: J. HOKE, 3-15-90. NAME: Tyco Electronics Corporation, Harrisburg, PA 17105-3608.

RECEPTACLE ASSY, MINI BOX MILITARY, WITH LOW FORCE CONTACTS

SIZE: A1. CAGE CODE: 00779. DRAWING NO: 530745. RESTRICTED TO: -

CUSTOMER DRAWING. SCALE: 5:1. SHEET: 1 OF 1. REV: M.